

CABLE 345 RF: SMP R/A JACK + TNC 4 HOLES FLANGE MOUNT BULKHEAD JACK WITH O-RING RATED TO IP67/68 + HABIA 0.085SF CABLE

SPECIFICATIONS:

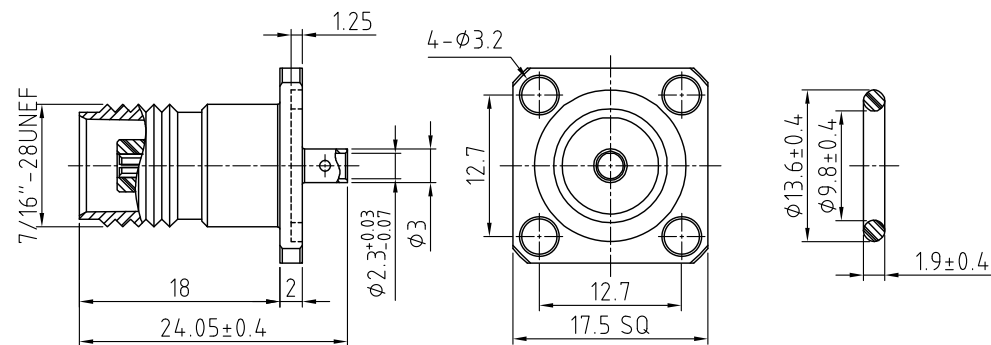
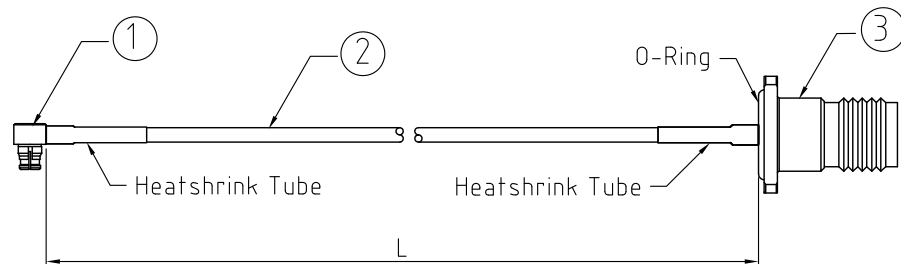
1. SMP RIGHT ANGLE JACK, P/N: RFCT-SMP003-F85.
2. HABIA FLEXIFORM 405, 0.085" SEMI FLEX CABLE, MAGNETIC, 50 OHM.
3. TNC STRAIGHT 4 HOLES FLANGE MOUNT BULKHEAD JACK WITH O-RING RATED TO IP67/68, P/N: RFCT-TNC013-F85.

ENVIRONMENTAL:

- A. BULKHEAD MOUNTED CONNECTOR (RFCT-TNC013-F85) TESTED TO THE FOLLOWING SPECIFICATION:
- i. IP6X - DUST TIGHT - NO PARTICLE INGRESS.
 - ii. IPX8 WATERPROOF 30 MINUTES AT 20 METERS UNDERWATER.
- AND RATED TO:
- i. IPX7 WATERPROOF FOR 30 MINUTES UP TO 1 METER UNDERWATER.

NOTES:

1. THE ORIENTATION OF CONNECTORS ON DRAWING IS FOR REFERENCE ONLY.
2. WORKING FREQUENCY RANGE: DC-6GHz.
3. OPERATING TEMPERATURE: -40°C~+150°C.
4. IMPEDANCE: 50 OHM.

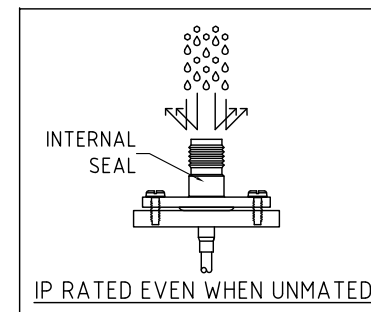
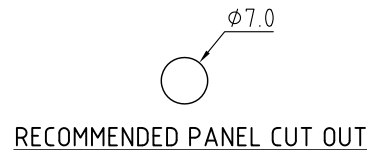


TNC DETAIL DRAWING

HOW TO ORDER
CABLE 345 RF - X X X X - 1

"L" LENGTH IN MM
eg: 100MM = 0100
(MIN. = 0040, MAX. = 2000,
STANDARD = 0100, 0150, 0200)
Tolerance: 50mm: ±2mm.
50-200mm: ±5mm.
201-500mm: ±7mm.
>500mm: ±10mm.

CABLE SIZE:
1 = HABIA 0.085" SF CABLE



REV. DATE & DRN
10. 18/06/19 - NYW RELEASE
11. 31/07/19 - NYW ADD PANEL CUT OUT.
12. 13/03/20 - CC ADD DIM. L25 ON THE PANEL.
13. 18/09/20 - NYW UPDATE ENVIRONMENTAL SPEC.
14. 17/03/24 - CC ADD IP RATING VIEW

Scale: NTS	THIRD ANGLE	Unstated .X .XX .XXX ANGLES	Tolerances: N/A N/A N/A N/A
Drawn: CC			
App'd: XXX	Title CABLE ASSEMBLY		
Date: 17 MAR. '24	Revision: 1.4	Unit: mm	

IP Rated RF Products

www.gradconn.com

Type: Cable 345 RF
CABLE 345 RF
Drawing Number:
Sheet 1 of 1
Drawing © E and O E